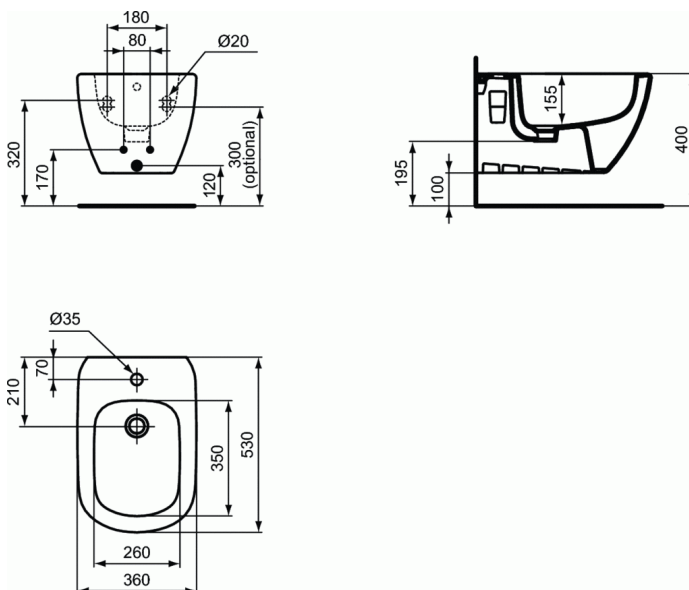


TESI Wall mounted bidet



Wall mounted bidet

One tap hole

Including fixation kit TT0299598 (for fully hidden attachment - no lateral holes)

In carton box

EN 14528

Recommended equipment:

- Siphon waste G1 1/4 (A2307AA)

- Stop angle valve (water connection G1/2, connection with mixer 10 mm/ G3/8) - 1 pc (B7883AA)

FINISHES*



V1



V3

* V1 = Silk White (Matt White), V3 = Silk Black (Matt Black)

KEY FEATURES & BENEFITS

