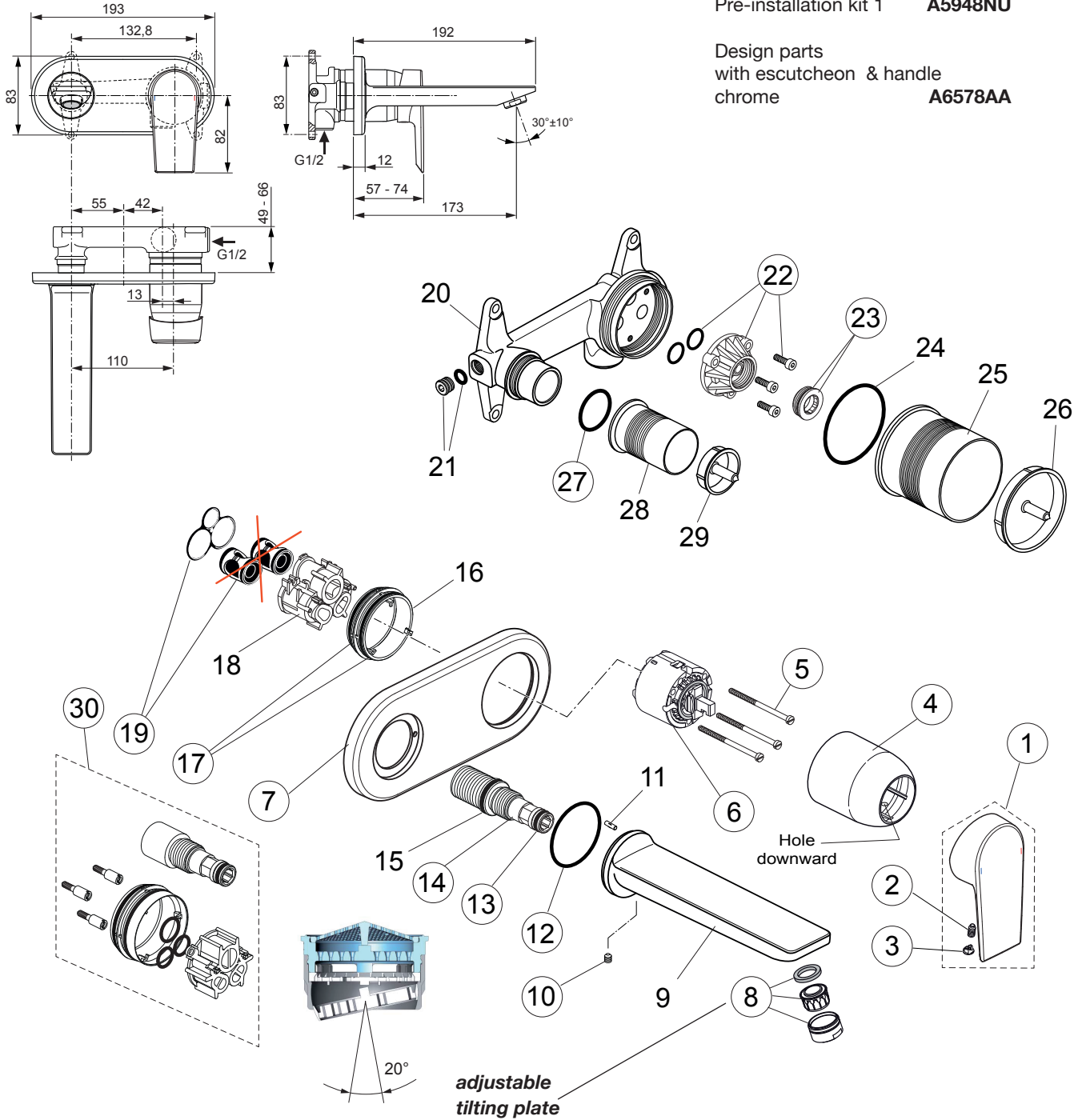


Produced since: **Nov. 2015**

Pre-installation kit 1 **A5948NU**

Design parts
with escutcheon & handle
chrome **A6578AA**



Pos.	Description	Part-Number	Qty.	Pos.	Description	Part-Number	Qty.
1	Lever cpl. with Logo ISI	A 861 020 AA	1 Set	17	O - ring Ø 47,3 x 1,78	A 963 526 NU	2 pcs
2	Thread pin M5x6 DIN914	A 860 603 NU	1 pcs	18	Plastic insert		
3	Handle cap	B 960 473 AA	1 pcs	19	Low noise insert complete	A 963 524 NU	1 Set
4	Cover cap	A 960 893 AA*	1 pcs	20	Body (built-in)		
5	Cylindrical screw M4x69	A 963 783 NU	3 pcs	21	Superior block M10x1		
6	Cartridge	A 960 500 NU*	1 Set	22	Flushing device complete	F 960 881 NU	1 Set
7	Escutcheon	F 960 981 AA	1 pcs	23	Plug with o-ring	A 963 548 NU	1 Set
8	Aerator M24x1 - 5ltr/min	F 960 876 AA	1 pcs	24	O - ring Ø 54 x 2,5		
9	Spout 173mm projection			25	Plaster guard for cartridge		
10	Thread pin M5x5	A 962 625 NU	1 pcs	26	Cover for pos. 25		
11	Groove pin 3x10 DIN1474			27	O - ring Ø 26 x 2,5	A 860 845 NU	1 pcs
12	O - ring Ø 41 x 1,78	A 961 863 NU	1 pcs	28	Plaster guard for spout		
13	O - ring Ø 10 x 2	A 963 495 NU	2 pcs	29	Cover for pos. 28		
14	Connector nipple cpl.	A 963 495 NU	1 Set	30	Extension kit 20mm longer	F 960 866 NU	1 Set
15	O - ring Ø 19 x 2,5						
16	Plastic ring						

* Universal-Set (not all parts needed)