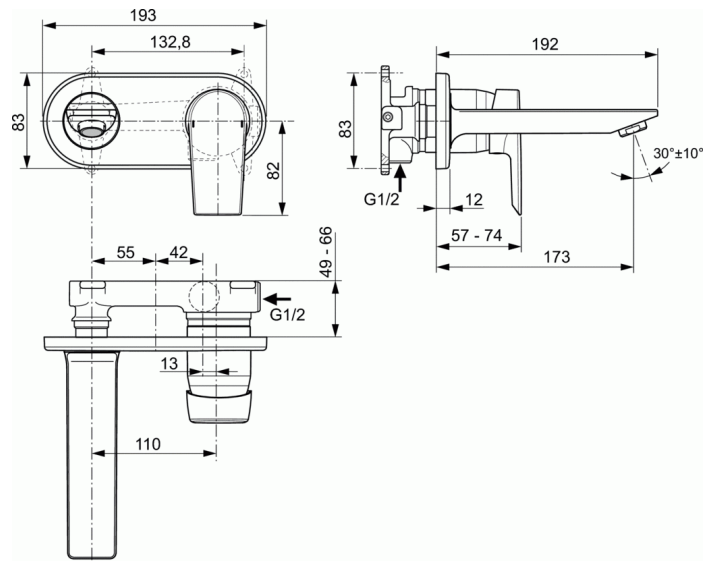


TESI Built-in basin mixer



Built-in basin mixer

Kit 2 version (visible parts)

47 mm IS Cartridge

Temperature limiter - integrated in the cartridge

Metal escutcheon

Metal handle with red and blue colour indication - printed on handle

Cast spout 172 mm

Cascade aerator with 5 l/min flow rate limiter

To be used only in combination with: A5948NU Kit 1 (internal part)

Comply with EN817

Necessary equipment

Built-in unit, Kit 1 (A5948NU)

FINISHES*



AA

* AA = Chrome

KEY FEATURES & BENEFITS

