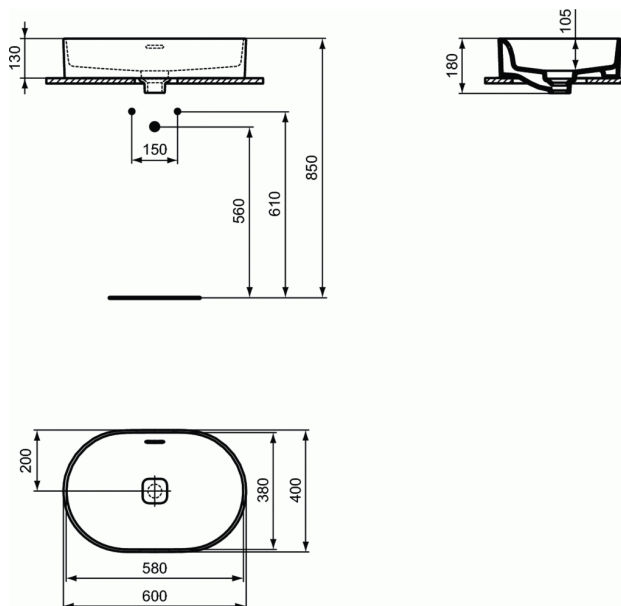


STRADA II

Vessel basin Oval - 60 cm



Vessel basin Oval - 60 cm

With overflow (slotted shape)

Including fixation set D570967 and cutting template

Including waste white cover T854601

In carton box

EN 14688

In case of installation with mixer with pop-up waste, please, order A960200AA Elongated pop-up rod

Optional installation with: Click-clack waste with metal cover T3629AA

Recommended equipment:

- Design siphon G1 1/4 (in case of installation without semi-pedestal and without base cabinet) (E0079AA)
- Design stop angle valve (water connection G1/2, connection with mixer 10 mm/ G3/8) - 1 pc (A3491AA)
- Siphon waste G1 1/4 - tubular type (A2305AA)
- Stop angle valve (water connection G1/2, connection with mixer 10 mm/ G3/8) - 1pc (B7883AA)
- Escutcheon for siphon G1 1/4 (in case installation with mixer without pop-up waste) (B4801AA)
- Click-clack waste with metal cover (T3629AA)
- Elongated pop-up rod (A960200AA)

FINISHES*



01

* 01 = Euro White