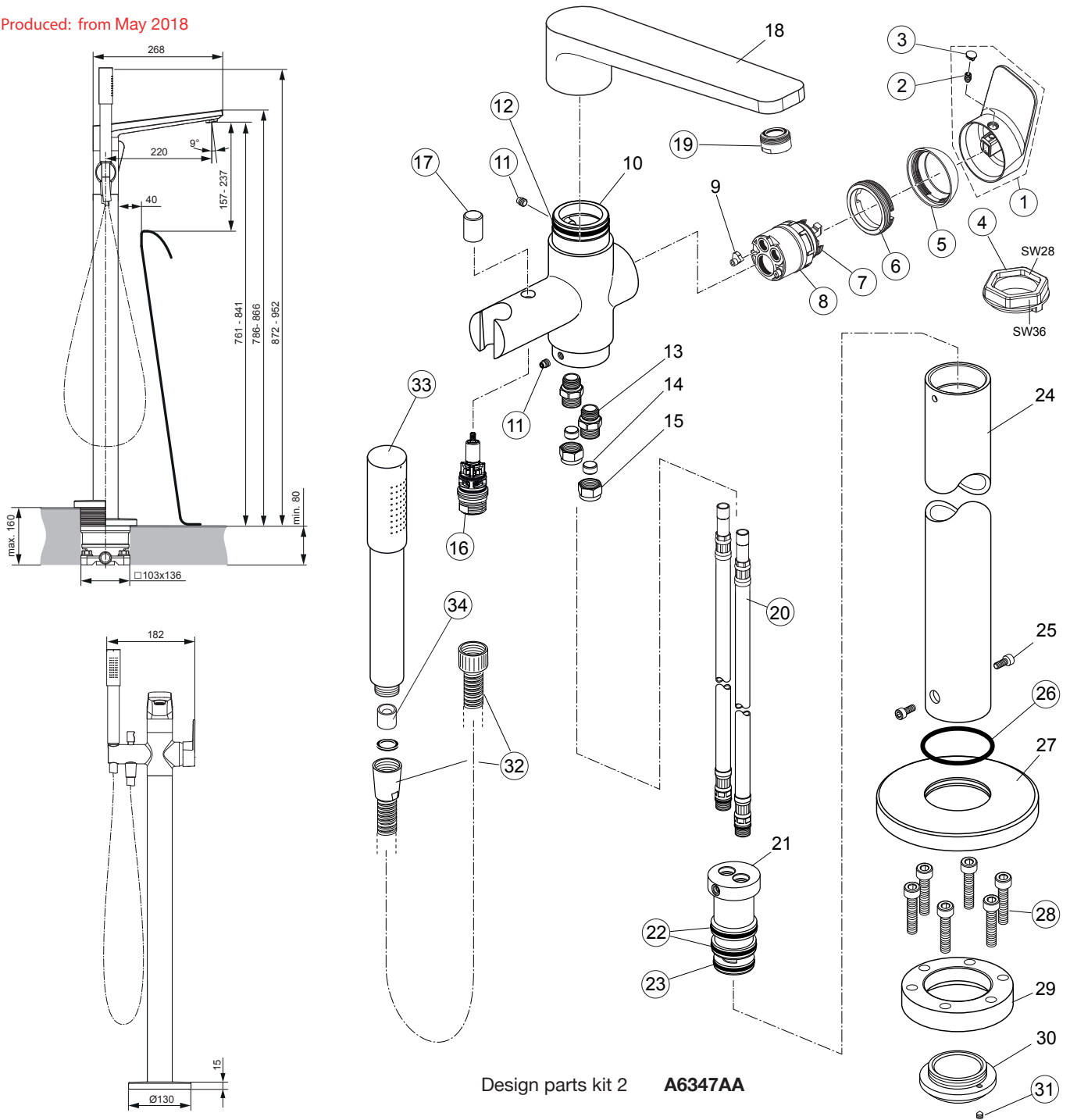


Tonic II floorstanding A6347AA



Produced: from May 2018



Design parts kit 2 **A6347AA**

Pos.	Description	Part-Number	Qty.	Pos.	Description	Part-Number	Qty.
1	Lever cpl. with Logo IS	A 861 320 AA	1 Set	19	Aerator M24x1	A 963 181 NU	1 pcs
2	Thread pin M5x8 DIN915	A 963 309 NU	1 pcs	20	Flex. hose M12xG3/8	A 861 140 NU	1 pcs
3	Cap for handle	B 960 473 AA	1 pcs	21	Manifold		
4	Key for pos. 4	B 960 650 NU	1 pcs	22	O - ring Ø 29,82 x 2,62	N 960 006 NU	5 pcs
5	Cover cap	B 961 373 AA	1 pcs	23	O - ring Ø 28,3 x 1,78	A 961 667 NU	2 pcs
6	Thread ring M36x1 + Key	B 961 374 NU	1 pcs	24	Pipe freestanding		
7	Hot limit stop	A 861 181 NU	1 pcs	25	Cylindrical screw M5x12 DIN912 Inox A2		
8	Cartridge Ø38 + Pos. 4 + 9	A 861 156 NU*	1 Set	26	O - ring Ø 53,57 x 3,53	A 962 530 NU*	1 Set
9	Pin (contained in Pos. 8)			27	Escutcheon Ø 130mm		
10	Body			28	Cylindrical screw M8x35	A 960 242 NU	1 pcs
11	Thread pin M6x8	F 960 985 NU	2 pcs	29	Screw flange		
12	O-ring Ø 39,94 x 2,62	A 960 331 NU*	1 Set	30	Screw ring		
13	Nipple for cutting ring			31	Thread pin M5x6 DIN914	A 962 041 NU*	1 Set
14	Compression ring Ø10 inside			32	Flex. hose G1/2 - 125cm	A 3306 AA	1 pcs
15	Compression nut M15x1			33	Hand spray	F 960 900 AA	1 pcs
16	Diverter complete	B 960 167 AA	1 Set	34	Flow regulator - 8l/min	B 961 093 NU	1 pcs
17	Pull knob	B 960 486 AA	1 pcs				
18	Spout						

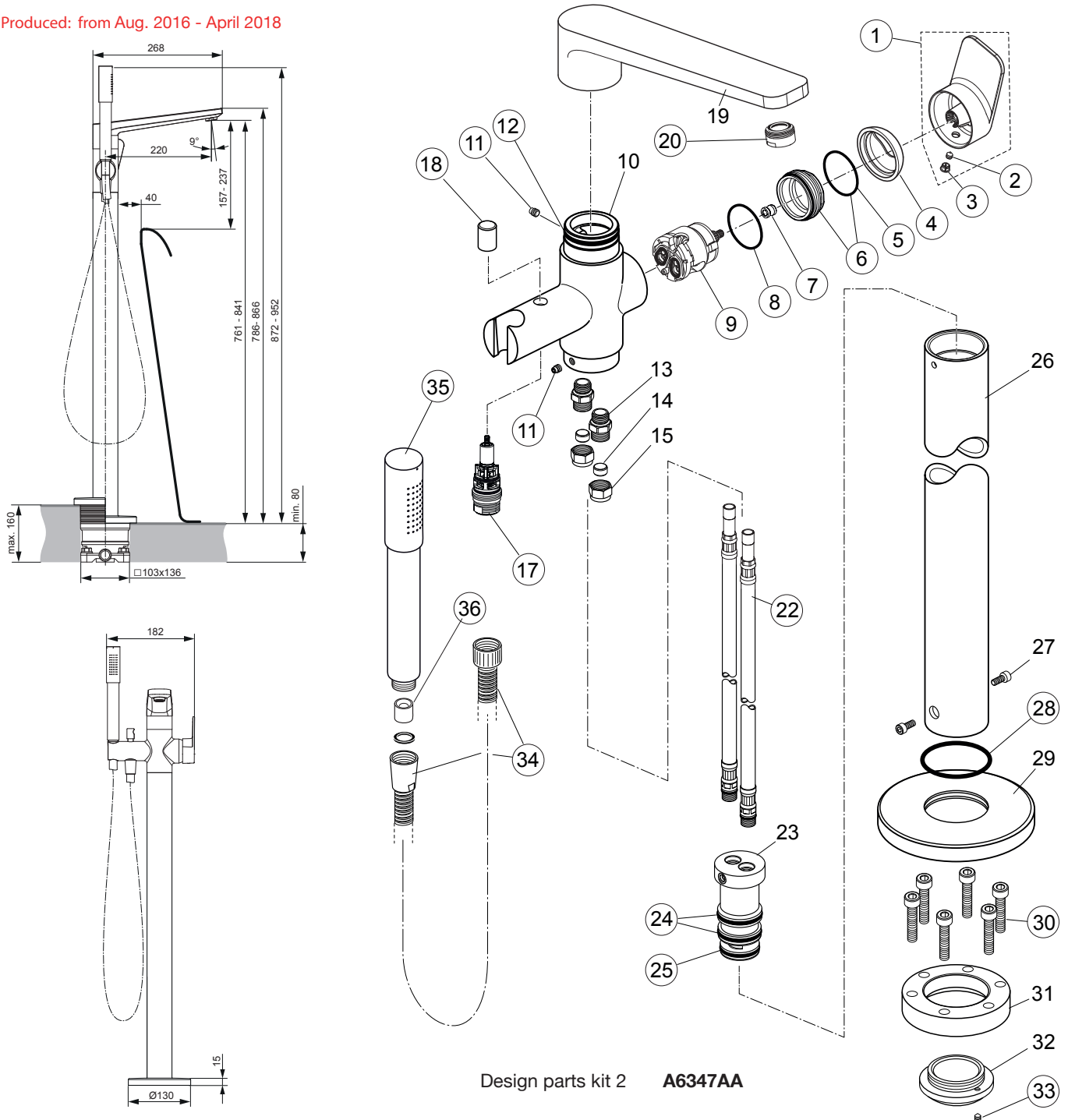
*Universal set (not all parts needed)

Tonic II

Tonic II floorstanding A6347AA



Produced: from Aug. 2016 - April 2018

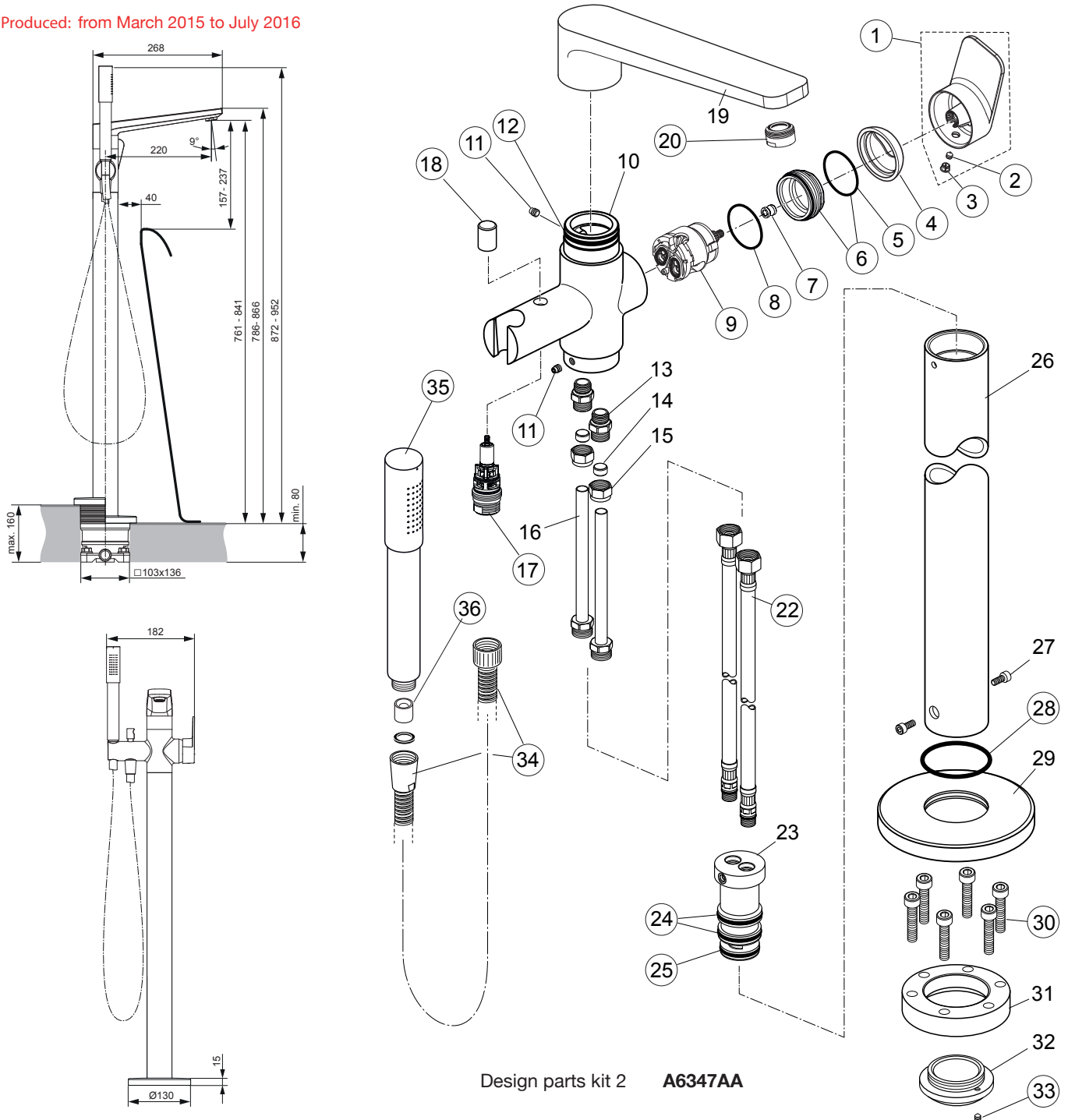


Pos.	Description	Part-Number	Qty.	Pos.	Description	Part-Number	Qty.
1	Lever complete	A 860 910 AA	1 Set	19	Spout		
2	Thread pin M5x6 DIN914	A 860 603 NU	1 pcs	20	Aerator M24x1	A 963 181 NU	1 pcs
3	Cap for handle	A 960 396 AA	1 pcs	22	Flex. hose M12xG3/8	A 861 140 NU	1 pcs
4	Cartridge cover (Cap)	A 961 485 AA	1 pcs	23	Manifold		
5	O - ring Ø 28,3 x 1,78	A 961 667 NU	2 pcs	24	O - ring Ø 29,82 x 2,62	N 960 006 NU	5 pcs
6	Clamping nut M43 x1,5	N 960 019 AA	1 pcs	25	O - ring Ø 28,3 x 1,78	A 961 667 NU	2 pcs
7	Nut for handle adaption	A 963 372 NU	1 pcs	26	Pipe freestanding		
8	O - ring Ø 35 x 3,2	A 962 715 NU	1 pcs	27	Cylindrical screw M5x12 DIN912 Inox A2		
9	Cartridge + pos.8	A 860 621 NU	1 Set	28	O - ring Ø 53,57 x 3,53	A 962 530 NU	1 Set
10	Body			29	Escutcheon Ø 130mm		
11	Thread pin M6x8	F 960 985 NU	2 pcs	30	Cylindrical screw M8x35	A 960 242 NU	1 pcs
12	O - ring Ø 39,94 x 2,62	A 960 331 NU	1 Set	31	Screw flange		
13	Nipple for cutting ring			32	Screw ring		
14	Compression ring Ø10 inside			33	Thread pin M5x6 DIN914	A 962 041 NU	1 pcs
15	Compression nut M15x1			34	Flex. hose G1/2 - 125cm	A 3306 AA	1 pcs
17	Diverter complete	B 960 167 AA	1 Set	35	Hand spray	F 960 900 AA	1 pcs
18	Pull knob	B 960 486 AA	1 pcs	36	Flow regulator - 8l/min	B 961 093 NU	1 pcs

Tonic II floorstanding A6347AA



Produced: from March 2015 to July 2016



Design parts kit 2 A6347AA

Pos.	Description	Part-Number	Qty.	Pos.	Description	Part-Number	Qty.
1	Lever complete	A 860 910 AA	1 Set	19	Spout		
2	Thread pin M5x6 DIN914	A 860 603 NU	1 pcs	20	Aerator M24x1	A 963 181 NU	1 pcs
3	Cap for handle	A 960 396 AA	1 pcs	22	Flex. hose M12xG3/8	F 960 986 NU	1 pcs
4	Cartridge cover (Cap)	A 961 485 AA	1 pcs	23	Manifold		
5	O - ring Ø 28,3 x 1,78	A 961 667 NU	2 pcs	24	O - ring Ø 29,82 x 2,62	N 960 006 NU	5 pcs
6	Clamping nut M43 x1,5	N 960 019 AA	1 pcs	25	O - ring Ø 28,3 x 1,78	A 961 667 NU	2 pcs
7	Nut for handle adaption	A 963 372 NU	1 pcs	26	Pipe freestanding		
8	O - ring Ø 35 x 3,2	A 962 715 NU	1 pcs	27	Cylindrical screw M5x12 DIN912 Inox A2		
9	Cartridge + pos.8	A 860 621 NU	1 Set	28	O - ring Ø 53,57 x 3,53	A 962 530 NU	1 Set
10	Body			29	Escutcheon Ø 130mm		
11	Thread pin M6x8	F 960 985 NU	2 pcs	30	Cylindrical screw M8x35	A 960 242 NU	1 pcs
12	O - ring Ø 39,94 x 2,62	A 960 331 NU	1 Set	31	Screw flange		
13	Nipple for cutting ring			32	Screw ring		
14	Compression ring Ø10 inside			33	Thread pin M5x6 DIN914	A 962 041 NU	1 pcs
15	Compression nut M15x1			34	Flex. hose G1/2 - 125cm	A 3306 AA	1 pcs
16	Connecting tube			35	Hand spray	F 960 900 AA	1 pcs
17	Diverter complete	B 960 167 AA	1 Set	36	Flow regulator - 8l/min	B 961 093 NU	1 pcs
18	Pull knob	B 960 486 AA	1 pcs				