

# SHIP 150 cm

**BATHTUB IN NOVOTECH - INSIDE WHITE MATT, OUTSIDE CUSTOMISABLE.  
UNIT COMBINED WITH TOP IN OCRITECH WHITE AND CUSTOMISABLE COLOUR.**

Dimensions		Capacity	Furniture installation	Code	External bathtub finish	Furniture finish						
Cm	H	lt.			Matt White	Colour choice	Matt White	White wood	Grain	Burlington	Wenge	Colour choice
<b>STANDARD</b>												
150 x 70	62	265	-	<b>SHI115070-</b>	U	◆	U	I	M	N	V	◆
<b>STANDARD - FURNITURE WITH MIXER</b>												
150 x 70	62	265	freestanding	<b>SHI1150702CS-</b>	U	◆	U	I	M	N	V	◆
150 x 70	62	265	centre of wall	<b>SHI1150702CP-</b>								
150 x 70	62	265	right corner	<b>SHI1150702AD-</b>								
150 x 70	62	265	left corner	<b>SHI1150702AS-</b>								
<b>NATURAL AIR - FURNITURE WITH MIXER- FURNITURE WITH UNIT AND MIXER</b>												
150 x 70	62	265	freestanding	<b>SHIN1507002CS-</b>	U	◆	U	I	M	N	V	◆
150 x 70	62	265	centre of wall	<b>SHIN1507002CP-</b>								
150 x 70	62	265	right corner	<b>SHIN1507002AD-</b>								
150 x 70	62	265	left corner	<b>SHIN1507002AS-</b>								

OPTIONAL: EXTERNAL LED LIGHT AND FLOOR-STANDING TAP, SEE PAGE 456

◆ COLOUR CHOICE										
<b>19</b>	<b>FB</b>	<b>FC</b>	<b>FD</b>	<b>F8</b>	<b>F9</b>	<b>FA</b>				
Black	Terra	luta	Perla	Artico	Fucile	Cortecchia				
SPECIAL COLOURS ON REQUEST										
<b>F1</b>	<b>F2</b>	<b>F5</b>	<b>F6</b>	<b>F7</b>	<b>FG</b>	<b>FK</b>	<b>FL</b>	<b>XZ</b>	<b>FM</b>	<b>FN</b>
Aragosta	Rubino	Senape	Lime	Turchino	Beige	Corda	Grey	Bright Blu	Light Grey	Tortora

FREESTANDING



FREESTANDING / CENTRE OF WALL WITH CENTRAL UNIT, TAPS AND FITTINGS



LEFT CORNER WITH UNIT, TAPS AND FITTINGS



RIGHT CORNER WITH UNIT, TAPS AND FITTINGS





**BATHTUB UNIT: TECHNOLOGY AND AESTHETIC APPEAL**

The unit is the ideal practical addition to the bathtub. Fitted with a simple and functional tap design, it houses all the technological elements. A variety of finishes can be chosen or colour to match the bathtub.

**DESIGN AND TECHNOLOGY - NATURAL AIR**

Lie back and let the micro bubbles envelop and silently caress your body, oxygenating your skin. The pleasure of a massage, immersed in a beautifully designed bathtub. From the taps to the bathtub unit, your new bathroom project is fully coordinated in terms of colour, shape and materials.

**FUNCTIONS AND FEATURES**

(available according to the equipment)



Natural air



Internal white Led light



Taps and fittings on side of bathtub



Drainage system with click-clack plug.

**BATHTUB WITH INTEGRATED OVERFLOW COMPLIANT WITH CURRENT REGULATIONS**



# SHIP 160 cm

**BATHTUB IN NOVOTECH - INSIDE WHITE MATT, OUTSIDE CUSTOMISABLE.  
UNIT COMBINED WITH TOP IN OCRITECH WHITE AND CUSTOMISABLE COLOUR.**

Dimensions	Capacity	Furniture installation	Code	External bathtub finish		Furniture finish						
						w	Wood finish					
Cm	H	lt.		Matt White	Colour choice	Matt White	White wood	Grain	Burlington	Wenge	Colour choice	
<b>STANDARD</b>												
160 x 70	62	280	-	<b>SHI116070-</b>	U	◆	U	I	M	N	V	◆
<b>STANDARD - FURNITURE WITH MIXER</b>												
160 x 70	62	280	freestanding	<b>SHI1160702CS-</b>	U	◆	U	I	M	N	V	◆
160 x 70	62	280	centre of wall	<b>SHI1160702CP-</b>								
160 x 70	62	280	right corner	<b>SHI1160702AD-</b>								
160 x 70	62	280	left corner	<b>SHI1160702AS-</b>								
<b>NATURAL AIR - FURNITURE WITH MIXER- FURNITURE WITH UNIT AND MIXER</b>												
160 x 70	62	280	freestanding	<b>SHIN1607002CS-</b>	U	◆	U	I	M	N	V	◆
160 x 70	62	280	centre of wall	<b>SHIN1607002CP-</b>								
160 x 70	62	280	right corner	<b>SHIN1607002AD-</b>								
160 x 70	62	280	left corner	<b>SHIN1607002AS-</b>								

OPTIONAL: EXTERNAL LED LIGHT AND FLOOR-STANDING TAP, SEE PAGE 456

◆ COLOUR CHOICE										
<b>19</b>	<b>FB</b>	<b>FC</b>	<b>FD</b>	<b>F8</b>	<b>F9</b>	<b>FA</b>				
Black	Terra	luta	Perla	Artico	Fucile	Corteccia				
SPECIAL COLOURS ON REQUEST										
<b>F1</b>	<b>F2</b>	<b>F5</b>	<b>F6</b>	<b>F7</b>	<b>FG</b>	<b>FK</b>	<b>FL</b>	<b>XZ</b>	<b>FM</b>	<b>FN</b>
Aragosta	Rubino	Senape	Lime	Turchino	Beige	Corda	Grey	Bright Blu	Light Grey	Tortora

FREESTANDING



FREESTANDING / CENTRE OF WALL WITH CENTRAL UNIT, TAPS AND FITTINGS



LEFT CORNER WITH UNIT, TAPS AND FITTINGS



RIGHT CORNER WITH UNIT, TAPS AND FITTINGS





BATTUBS



◀ FLOOR-STANDING TAP

Finish	Code	Price
Chrome	<b>RUBPVASRSN-K</b>	
Matt Black	<b>RUBPVASRSN-H</b>	



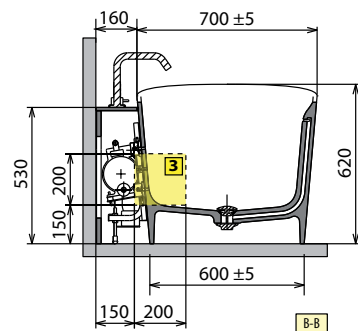
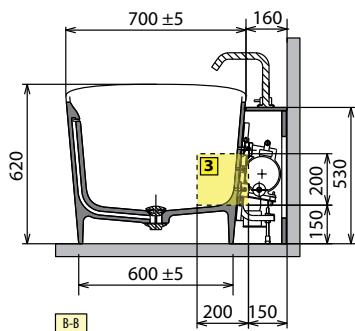
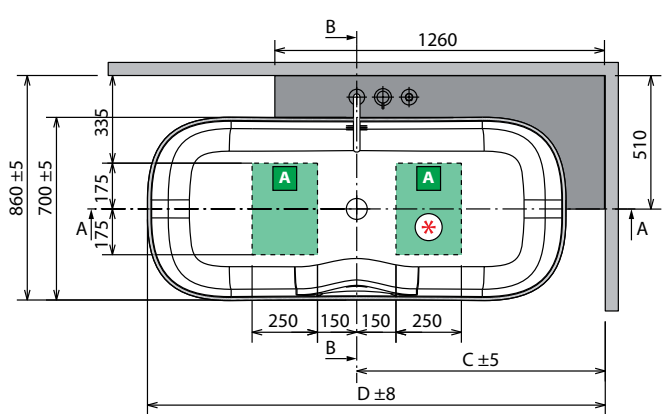
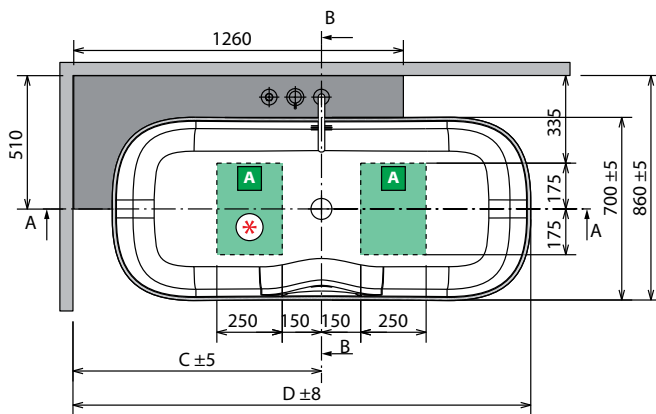
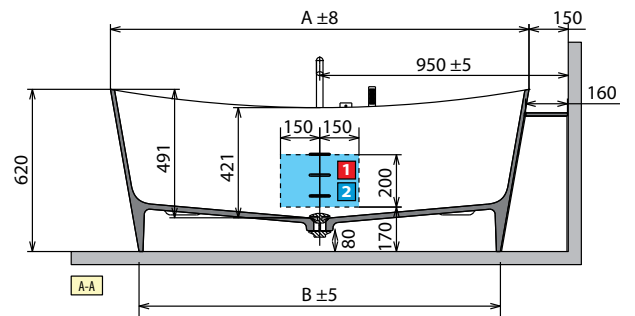
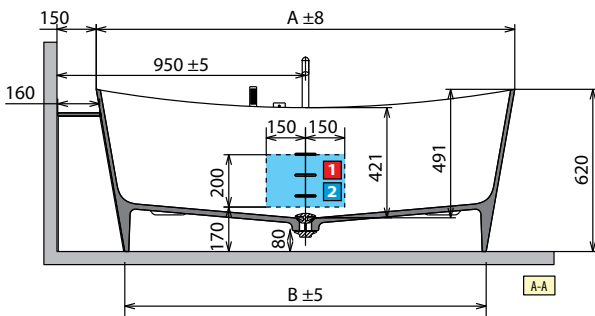
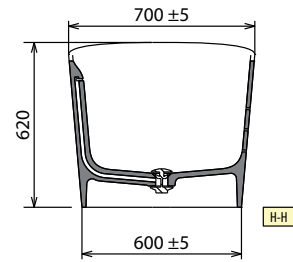
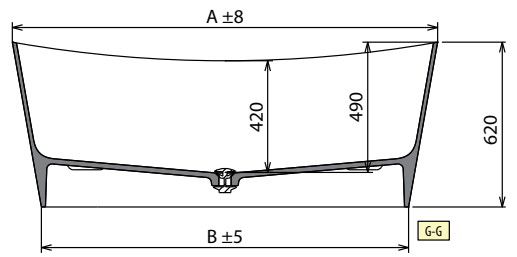
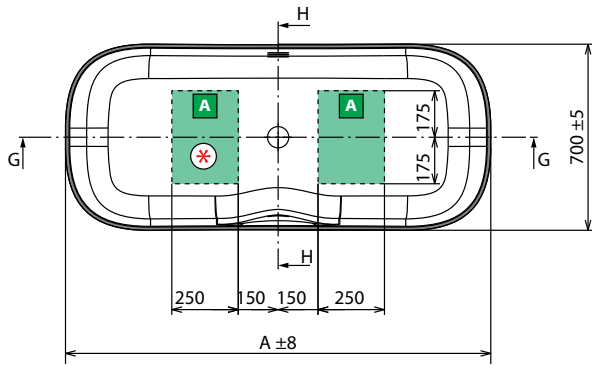
◀ LOWER PERIMETER LED KIT FOR INFINITIVE BATHTUB

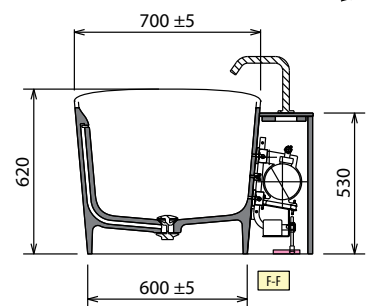
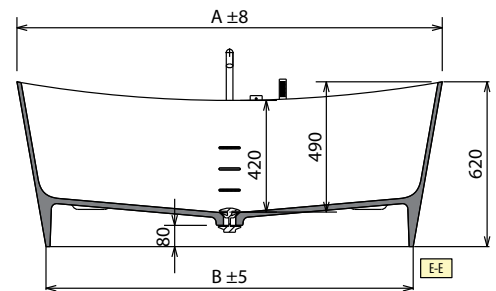
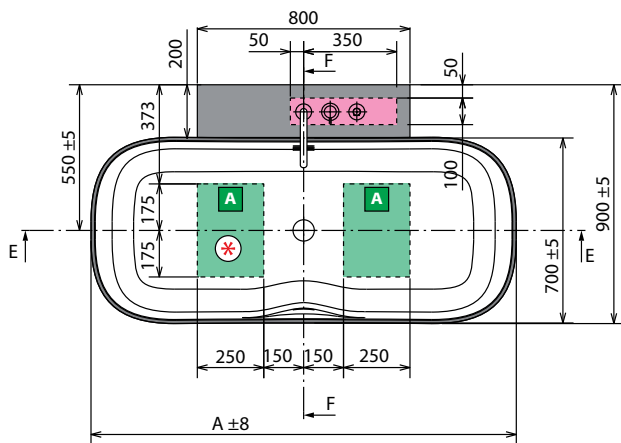
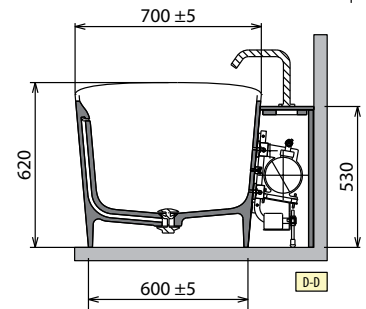
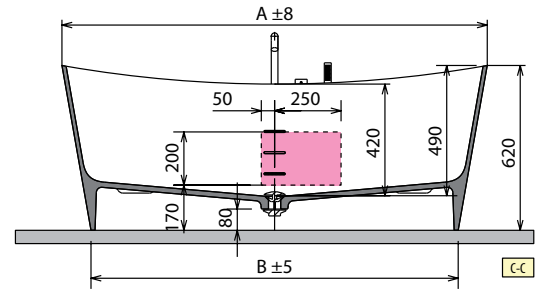
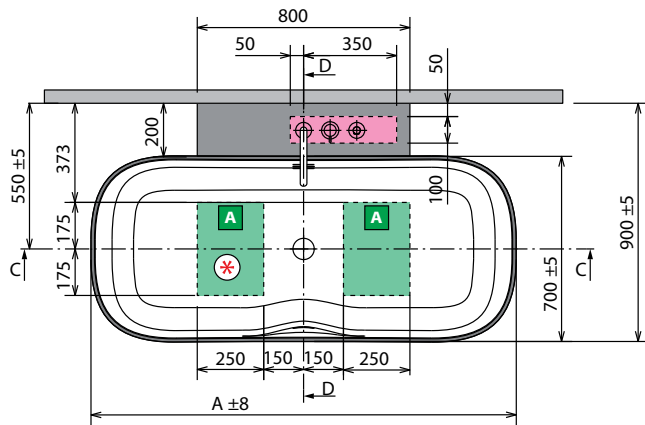
Code	Price
<b>KLINF</b>	



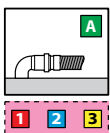
◀ TAPS AND FITTINGS ON SIDE OF BATHTUB FOR UNIT

Finish	Code	Price
Matt Black	<b>RUBBVASRSN-H</b>	





Model	A	B	C	D	Weight	Capacity litres
Ship 150	1500 mm	1280 mm	900 mm	1650 mm	105 kg	260 lt
Ship 160	1600 mm	1380 mm	950 mm	1750 mm	115 kg	290 lt



**HYDRAULIC CHARACTERISTIC**  
 1 Natural Air jets  
 Siphon connection 40 mm

**ELECTRICAL CHARACTERISTIC**  
 Tension: 220-230 V  
 Frequency: 50 Hz  
 Maximum power consumption:  
 Natural Air: 1050 W

Install a 30mA differential switch upstream of the appliance with a multiple-pole switch with a minimum contact opening  $\geq 3$  mm.